

DPSS-532-F

GREEN LASERS: 532 nm, 1500~3000 mW



- Upto 3000 mW
- High power green laser
- Easy use & maintenance free
- Longlife operation
- High efficiency
- High reliability

SPECIFICATIONS

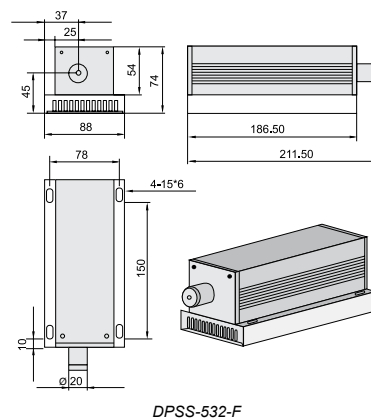
Wavelength	532 nm
Spatial Mode	near TEM ₀₀
Output Power	>1500, 2000, 2500, 3000 mW
Operation Mode	CW or Modulation
Modulation	Analog or TTL upto 30 kHz
Polarization	Linear
Beam Spot Shape	Circular, aspect ratio <1.1 : 1
Pointing Stability	<0.05 mrad
Beam Diameter (1/e ²)	3 mm
Beam Divergence	2 mrad
Beam Height from Base	45 mm
Power Stability (rms, over 4 hours)	<10%
Temperature Stabilizin	TEC
Warm Up Time	<5 minutes
Beam Quality (M ²)	<2
Optimum Operating Temperature	20~30 °C
Storage Temperature	10~50 °C
Expected Lifetime	10,000 hrs
Laser Head Dimensions	88(W) × 211.5(L) × 74(H) mm
POWER SUPPLY	
Lab type EO-PS-F	238(W) × 146(L) × 94(H) mm 85~265 V 50/60 Hz input

ORDERING INFORMATION

Catalogue number	Description
DPSS-532-F1500	1500 mW
DPSS-532-F2000	2000 mW
DPSS-532-F2500	2500 mW
DPSS-532-F3000	3000 mW
EO-PS-F	Lab type power supply

POWER SUPPLIES

- Lab type power supply **EO-PS-F**



DPSS-532-F

RELATED PRODUCTS

Laser Safety Eyewear

See page 1.16.

